

RUBBERTECH ALLOY WHEEL STACKER MATT & RATCHET PROTECTOR

Protect your high performance premium alloy wheels whilst the vehicle is in transit, storage or undertaking maintenance.

Made from the best quality nylon cloth mark material the product eliminates the risk of scratching, scuffing and damaging of your beloved alloy wheels.

The product is suitable as a branded accessory for a client at the time of purchasing a high performance vehicle, for commercial business specialising in the recovery, transportation, service centres and businesses dealing in the all-round general up keep and improvement of such vehicles.



Current clients include Aston Martin, Jaguar, McLaren & Land Rover

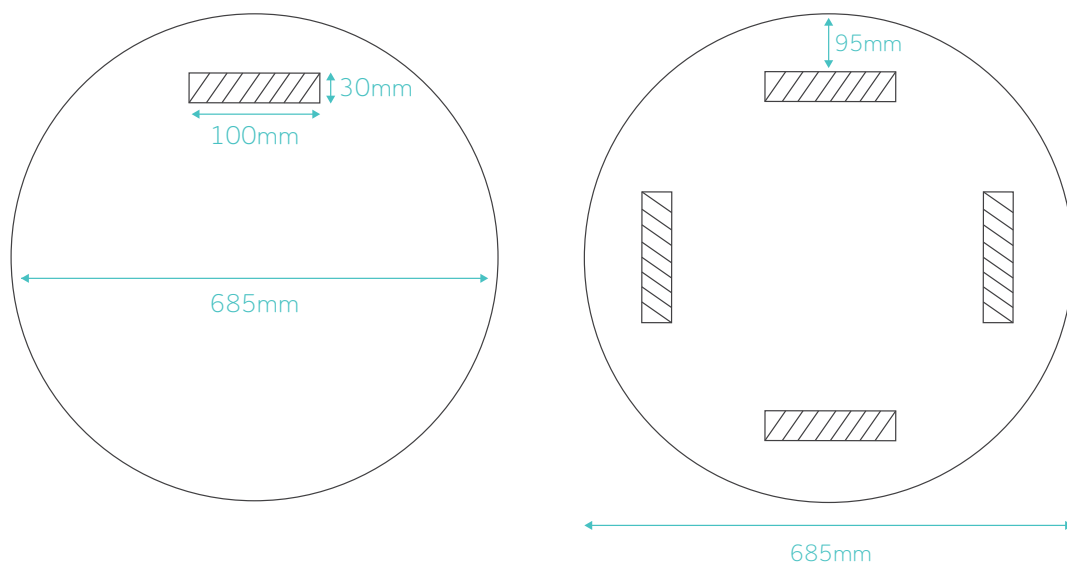


Grade	N66	-
Colour	Black	-
Elastomer	Nr/Sbr	-
Quality	Commercial Insertion	-
Hardness Shore A ±5	65°	ISO 7619-1
Sg(G /Cm2)	1.5	ISO 2781
Tensile (n/mm ²)	3.5	ISO 37
Elongation%	300	ISO 37
Compression %	43	ISO37
Tear Strength	12	ISO 34-1
Abrasion mm ³	-	ISO 37
Temperature (°C) From	-20	-
Temperature (°C) To	70	-

Roll Tolerances	-	-
Width Tolerance	+/-2%	ISO 3302 SW1
Length Tolerance	+/-2%	ISO 3302 SW1

Thickness	-
0.5mm-1mm	+/-0.2mm
1.5mm-3mm	+/-0.3mm
4mm-5mm	+/-0.4mm
6mm	+/-0.5mm
8mm	+/-0.7mm
10mm-15mm	+/-1mm
20mm	+/-1.4mm
25mm	+/-1.75mm

Thickness' available	-
1mm to 6mm	1.4m x 10m
8mm to 25mm	1.4m x 5m
32mm, 38mm, 40mm	1m x 1m



Please contact our exclusive distributor Auto Products on 01824 707 555 - for prices and more information on this product